

## SECURE & PROTECT CABLES WITH WIZARDGEAR™ CABLE MANAGEMENT KITS

WizardGear™ robot cable management products provide organization, support and protection for all lines and cables attached to robots. Keep cables free from damage that can cause unnecessary downtime and costly repairs. **Using zip ties or other poor methods of attachment can even void the warranty on your control cables.** Cable organizers are currently available for Fanuc® ARC Mate robots. Custom cable management solutions are available for other robot manufacturers. The WizardGear™ product line includes cable and conduit organizers, conduit balancers, spatter resistant cable sleeves and conduit hangers.

- ▶ Provides organization, support and protection for all lines and cables attached to robots
- ▶ Keep cables free from damage that can cause unnecessary downtime and costly repairs
- ▶ Approved by Fanuc® for securing and protecting control cables, other attachment methods may void warranty on cables
- ▶ Cable and Conduit Balancers, as well as Spatter-Resistant Cable Sleeves also available
- ▶ Custom cable management solutions available for other robot models

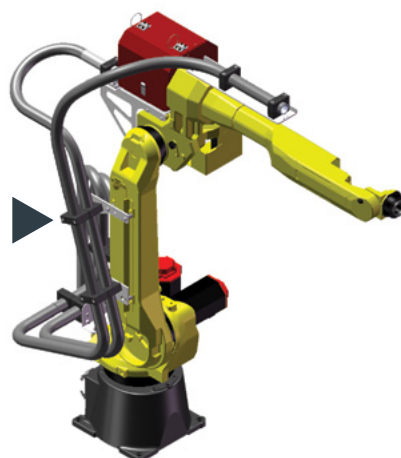


Base Bracket with Insulated Power Lug Connection

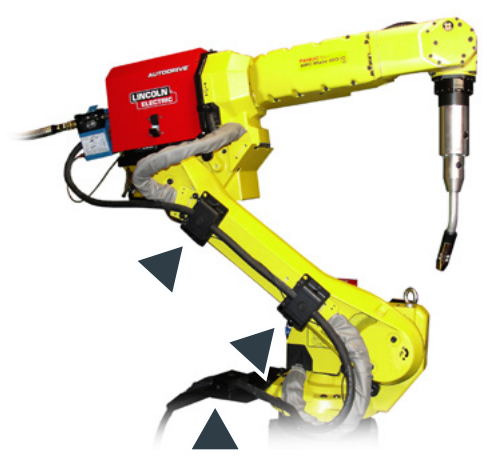
Deluxe Cable Management Kit for Fanuc® 100iD Robots CM-F-1-ID



Deluxe Cable Management Kit for Fanuc® 100iC and 120iC robots CM-F-3

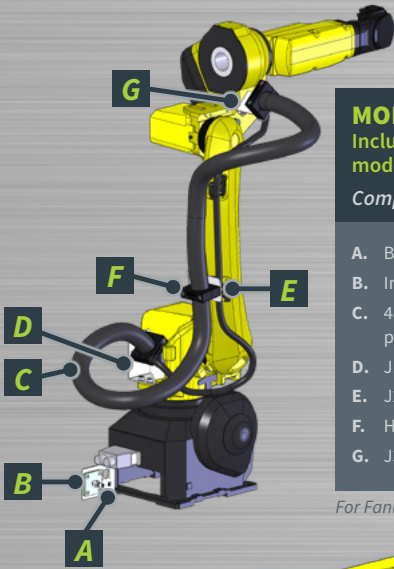


Deluxe Cable Management Kit for Fanuc® iC Robots with Part Grippers CM-F-3-MH



Basic Cable Management Kit for Fanuc® 100iC and 120iC Robots CM-F-1

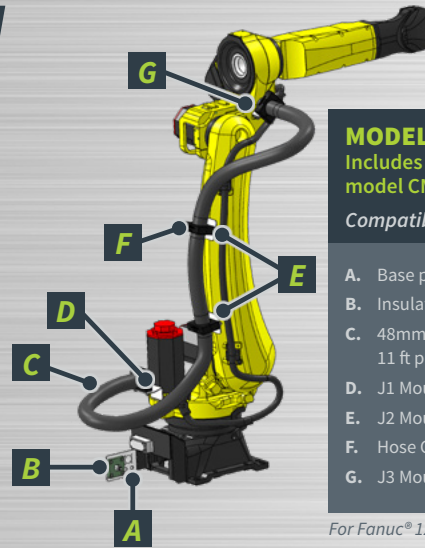
# CABLE MANAGEMENT KIT OPTIONS AND COMPONENTS



**MODEL CM-F-1-ID**  
Includes 3/0 power cable, order model CM-F-1-ID-4/0 for 4/0 cable  
Compatible with most wire feeders

- A. Base plate bracket
- B. Insulated Power Lug Connection Point
- C. 48mm spatter resistant tubing with 9 ft power cable (3/0 or 4/0)
- D. J1 Mounting Bracket
- E. J2 Mounting Bracket
- F. Hose Clamps (3)
- G. J3 Mounting Bracket

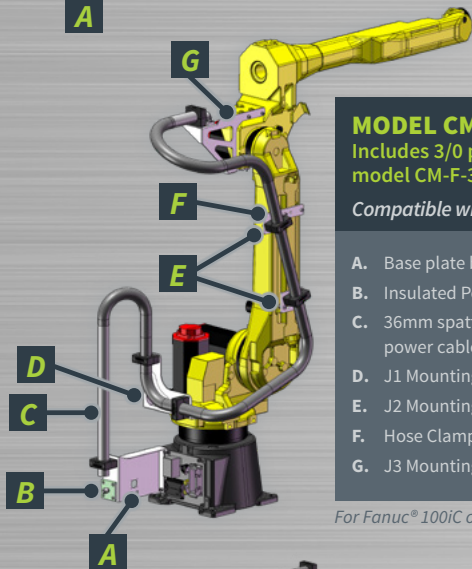
For Fanuc® 100iD Robots



**MODEL CM-F-2-ID**  
Includes 3/0 power cable, order model CM-F-2-ID-4/0 for 4/0 cable  
Compatible with most wire feeders

- A. Base plate bracket
- B. Insulated Power Lug Connection Point
- C. 48mm spatter resistant tubing with 11 ft power cable (3/0 or 4/0)
- D. J1 Mounting Bracket
- E. J2 Mounting Brackets (2)
- F. Hose Clamps (4)
- G. J3 Mounting Bracket

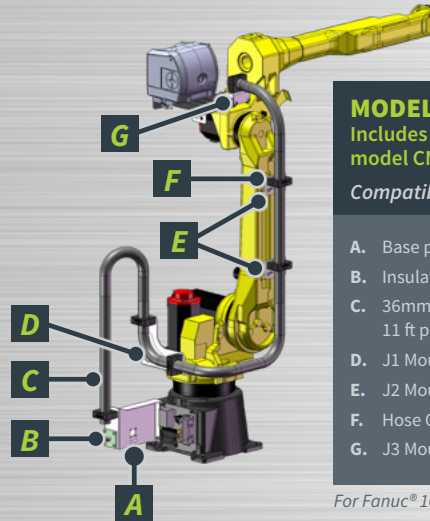
For Fanuc® 120iD Robots



**MODEL CM-F-3**  
Includes 3/0 power cable, order model CM-F-3-4/0 for 4/0 cable  
Compatible with Lincoln Electric® feeders

- A. Base plate bracket
- B. Insulated Power Lug Connection Point
- C. 36mm spatter resistant tubing with 11 ft power cable (3/0 or 4/0)
- D. J1 Mounting Bracket
- E. J2 Mounting Brackets (2)
- F. Hose Clamps (6)
- G. J3 Mounting Bracket

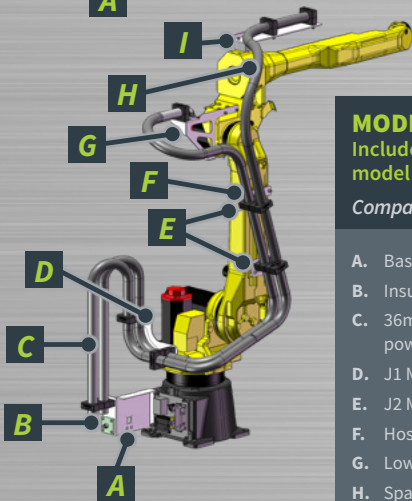
For Fanuc® 100iC or 120iC Robots



**MODEL CM-F-3-F**  
Includes 3/0 power cable, order model CM-F-3-F-4/0 for 4/0 cable  
Compatible with Fronius® wire feeders

- A. Base plate bracket
- B. Insulated Power Lug Connection Point
- C. 36mm spatter resistant tubing with 11 ft power cable (3/0 or 4/0)
- D. J1 Mounting Bracket
- E. J2 Mounting Brackets (2)
- F. Hose Clamps (6)
- G. J3 Mounting Bracket

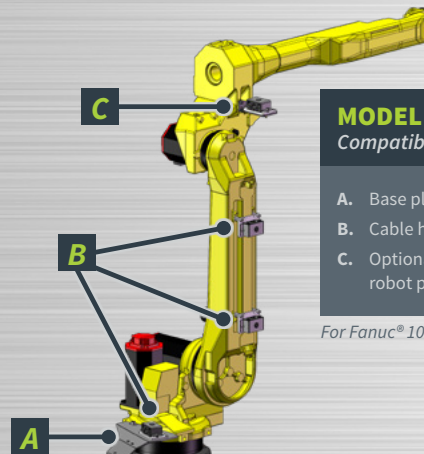
For Fanuc® 100iC or 120iC Robots



**MODEL CM-F-3-MH**  
Includes 3/0 power cable, order model CM-F-3-MH-4/0 for 4/0 cable  
Compatible with Lincoln Electric® feeders

- A. Base plate bracket
- B. Insulated Power Lug Connection Point
- C. 36mm spatter resistant tubing with 11 ft power cable (3/0 or 4/0)
- D. J1 Mounting Bracket
- E. J2 Mounting Brackets (2)
- F. Hose Clamps (13)
- G. Lower J3 Mounting Bracket
- H. Spatter resistant tubing for control cables
- I. Upper J3 Mounting Bracket

For Fanuc® 100iC or 120iC Robots



**MODEL CM-F-1**  
Compatible with any wire feeder

- A. Base plate bracket
- B. Cable holder assembly (3)
- C. Optional: CM-F-2 kit for additional robot peripherals

For Fanuc® 100iC or 120iC Robots

## CUSTOM CABLE MANAGEMENT KITS

Need a custom cable management solution for your welding application?  
Contact customer service with your specifications for more details.